

5745175-4 ✓ ACTIVE

AMPLIMITE | AMPLIMITE Kit

TE Internal #: 5745175-4

D-Sub Backshells & Clamps, Cable Clamp Kit, Two-Piece RFI/EMI Shield, 50 Position, Size 5, Shielded, Cable Exit Angle 180° (In-Line), AMPLIMITE Kit

[View on TE.com >](#)



Connectors > D-Shaped Connectors > D-Sub Accessories > D-Sub Backshells & Clamps



D-Shaped Connector Accessories: **Cable Clamp Kit**

Cable Clamp Type: **Two-Piece RFI/EMI Shield**

Number of Positions: **50**

Compatible With Connector Shell Size: **5**

Shielded: **Yes**

Features

Product Type Features

| | |
|--------------------------------|-----------------|
| Grommets | Without |
| Product Type | Accessory |
| D-Shaped Connector Accessories | Cable Clamp Kit |

Configuration Features

| | |
|---------------------|----|
| Number of Positions | 50 |
|---------------------|----|

Body Features

| | |
|-------------------------|--------------------------|
| Shield Plating Material | Nickel over Copper |
| Cable Clamp Material | Die Cast |
| Shield Plating Finish | Bright |
| Cable Clamp Type | Two-Piece RFI/EMI Shield |
| Cable Exit Angle | 180° (In-Line) |

Mechanical Attachment

| | |
|--------------------------|------|
| Screw & Hole Thread Size | 4-40 |
|--------------------------|------|



Dimensions

| | |
|---------------------------------|-------------------|
| Cable Insulation Diameter Range | 13.34 mm[.525 in] |
|---------------------------------|-------------------|

Usage Conditions

| | |
|-----------------------------|---------------------------|
| Operating Temperature Range | -55 – 85 °C[-67 – 185 °F] |
|-----------------------------|---------------------------|

Operation/Application

| | |
|--------------|-----------------|
| For Use With | Plug/Receptacle |
|--------------|-----------------|

| | |
|--------------------------------------|---|
| Compatible With Connector Shell Size | 5 |
|--------------------------------------|---|

| | |
|----------|-----|
| Shielded | Yes |
|----------|-----|

Packaging Features

| | |
|--------------------|---|
| Packaging Quantity | 1 |
|--------------------|---|

| | |
|------------------|-----|
| Packaging Method | Bag |
|------------------|-----|

Other

| | |
|---------|-------------------------------------------------------------------------------------------------------------------------------------------------------------------------------------------------------|
| Comment | All parts are packaged unassembled., For use with Grommet Set Part No. 747973-1, Jackscrews must be purchased separately., Shielded cable clamps will not accept connector housings with clinch nuts. |
|---------|-------------------------------------------------------------------------------------------------------------------------------------------------------------------------------------------------------|

| | |
|-------------------------------------|----------|
| Long Turnable Jackscrew Part Number | 747784-3 |
|-------------------------------------|----------|

Product Compliance

[For compliance documentation, visit the product page on TE.com>](#)

| | |
|------------------------------|-----------|
| EU RoHS Directive 2011/65/EU | Compliant |
|------------------------------|-----------|

| | |
|-----------------------------|-----------|
| EU ELV Directive 2000/53/EC | Compliant |
|-----------------------------|-----------|

| | |
|-----------------------------------------------|-----------------------------------------|
| China RoHS 2 Directive MIIT Order No 32, 2016 | No Restricted Materials Above Threshold |
|-----------------------------------------------|-----------------------------------------|

| | |
|----------------------------------------|---------------------------------------------------------------------------------------------------------------------------------|
| EU REACH Regulation (EC) No. 1907/2006 | Current ECHA Candidate List: JUNE 2022 (224) Candidate List Declared Against: JUNE 2022 (224) Does not contain REACH SVHC |
|----------------------------------------|---------------------------------------------------------------------------------------------------------------------------------|

| | |
|-----------------|-------------------------------------------------------------------------------------|
| Halogen Content | Low Halogen - Br, Cl, F, I < 900 ppm per homogenous material. Also BFR/CFR/PVC Free |
|-----------------|-------------------------------------------------------------------------------------|

| | |
|---------------------------|----------------------------------------------|
| Solder Process Capability | Not applicable for solder process capability |
|---------------------------|----------------------------------------------|

Product Compliance Disclaimer

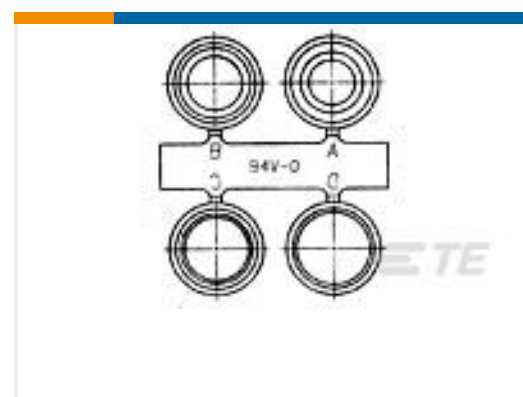
This information is provided based on reasonable inquiry of our suppliers and represents our current actual knowledge based on the information they provided. This information is subject to change. The part numbers that TE has identified as EU RoHS compliant have a maximum concentration of 0.1% by weight in homogenous materials for lead, hexavalent

chromium, mercury, PBB, PBDE, DBP, BBP, DEHP, DIBP, and 0.01% for cadmium, or qualify for an exemption to these limits as defined in the Annexes of Directive 2011/65/EU (RoHS2). Finished electrical and electronic equipment products will be CE marked as required by Directive 2011/65/EU. Components may not be CE marked. Additionally, the part numbers that TE has identified as EU ELV compliant have a maximum concentration of 0.1% by weight in homogenous materials for lead, hexavalent chromium, and mercury, and 0.01% for cadmium, or qualify for an exemption to these limits as defined in the Annexes of Directive 2000/53/EC (ELV). Regarding the REACH Regulation, the information TE provides on SVHC in articles for this part number is based on the latest European Chemicals Agency (ECHA) 'Guidance on requirements for substances in articles' posted at this URL: <https://echa.europa.eu/guidance-documents/guidance-on-reach>

Compatible Parts



TE Part # 745255-2
SPRING LATCH 2/BAG



TE Part # 747973-1
GROMMET ASSORTMENT, SZ 3,4 & 5



TE Part # 745508-9
FERRULE SPLIT RING, HD

Also in the Series | AMPLIMITE Kit



D-Sub Backshells & Clamps(135)



D-Sub Contact Accessories(1)



D-Sub Covers(3)



D-Sub Locking & Mounting(122)

Documents

Product Drawings

CABLE CLAMP KIT,SZ 5

English

CAD Files

3D PDF

English

Customer View Model

[ENG_CVM_5745175-4_O.2d_dxf.zip](#)

English

Customer View Model

[ENG_CVM_5745175-4_O.3d_igs.zip](#)

English

Customer View Model

[ENG_CVM_5745175-4_O.3d_stp.zip](#)



English

By downloading the CAD file I accept and agree to the [Terms and Conditions](#) of use.

Datasheets & Catalog Pages

[AMPLIMITE Subminiature D Connectors - Cable Connectors](#)

English

[AMPLIMITE Cable Connectors and Shielding Hardware Kits QRG](#)

English

Product Specifications

[Product Specification](#)

English

[Product Specification](#)

English

Product Environmental Compliance

[MD_5745175-4_07292013959_dmtec](#)

English

[MD_5745175-4_07292013959_dmtec](#)

English

Instruction Sheets

[Instruction Sheet \(U.S.\)](#)

English